

ELECTRIC STORAGE WATER HEATERS

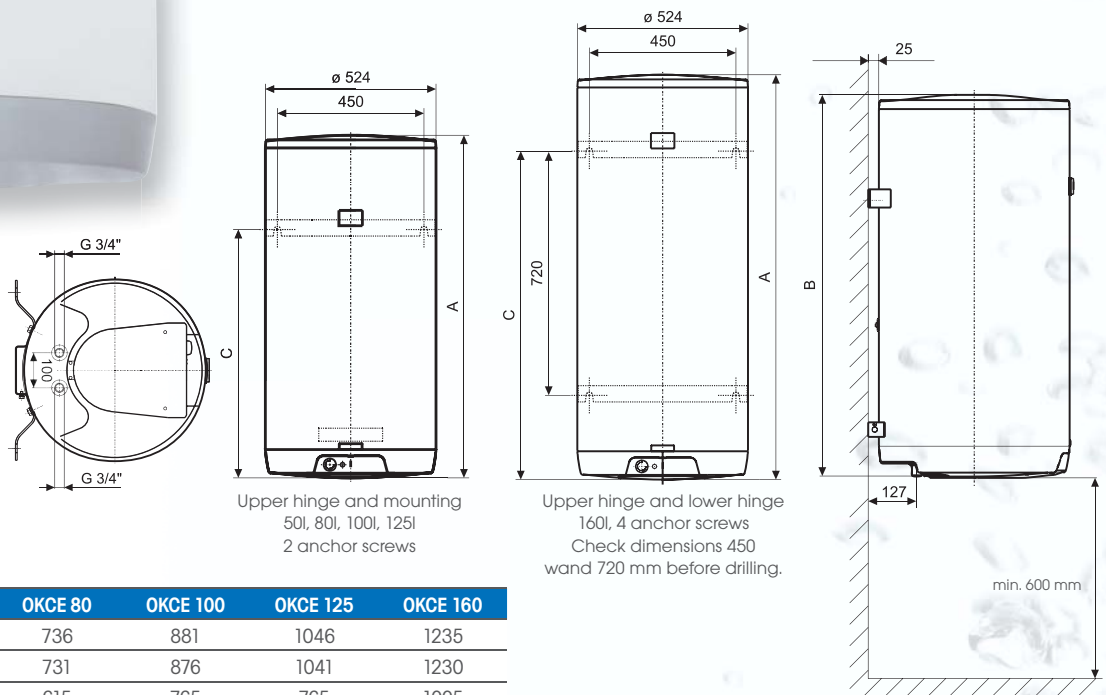
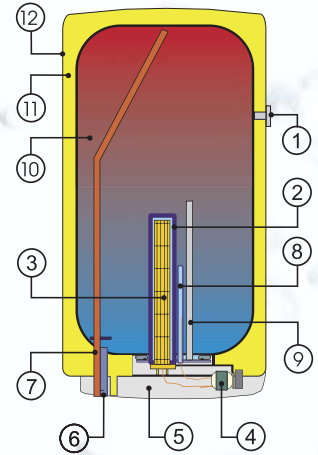
Wall-mounted, vertical

OKCE 50, OKCE 80, OKCE 100, OKCE 125, OKCE 160

ELECTRIC storage water heater
for vertical mounting



- 1 Temperature indicator
- 2 Holder for heating element
- 3 **DRY CERAMIC HEATING ELEMENT**
- 4 Operating thermostat with external control
- 5 Safety thermostat
- 6 Cover for electrical equipment
- 7 Filling pipe for cold water
- 8 Discharge pipe for hot water
- 9 Holder for operating and safety thermostat
- 10 Mg anode
- 11 Enamelled steel tank
- 12 Polyurethane CFC-free insulation - 42 mm



Type	OKCE 50	OKCE 80	OKCE 100	OKCE 125	OKCE 160
A	561	736	881	1046	1235
B*	556	731	876	1041	1230
C	448	615	765	765	1005

*Distance from upper edge of the heater to the end of the water inlet and outlet pipes.

Type	OKCE 50	OKCE 80	OKCE 100	OKCE 125	OKCE 160
Volume (l)	51	80	100	125	152
Nominal overpressure (MPa)	0.6	0.6	0.6	0.6	0.6
Voltage (V/Hz)	1 PE-N 230/50	1 PE-N 230/50	1 PE-N 230/50	1 PE-N 230/50	1 PE-N 230/50
Connected load (kW)	2	2	2	2	2
Electrical protection	IP 45	IP 45	IP 45	IP 45	IP 45
Height x Diameter (mm)	561x524	736x524	881x524	1046x524	1235x524
Maximum weight of heater without water (kg)	30	36	42	48	58
Heating period with ele. en. from 10 °C to 60 °C (hour)	1.5	2.5	3	3.8	5
Heat loss/energy efficiency class (kWh/24 h)	0.45/C	0.71/C	0.88/C	1.09/C	1.39/C

The OKCE 80, 100, 125, 160 heaters can be made to order with a heating element with 4000 W and 3 PE-N 400V/50Hz connection. Heating time is decreased to half the value stated in the table.