

# INDIRECT STORAGE WATER HEATERS

## Stationary 0.6 MPa

Heating element built - in to flange 2.2 kW

## Stationary 0.6 MPa

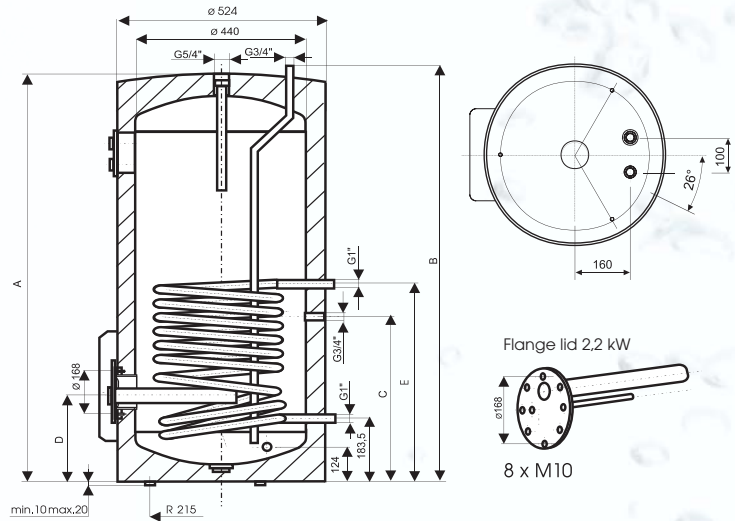
With side flange - no heating element

**OKCE 100 NTR/2,2 kW, OKCE 125 NTR/2,2 kW,  
OKCE 160 NTR/2,2 kW, OKCE 200 NTR/2,2 kW,  
OKCE 250 NTR/2,2 kW**

**OKCE 200 NTRR/2,2 kW, OKCE 250 NTRR/2,2 kW**

**OKC 100 NTR/BP, OKC 125 NTR/BP,  
OKC 160 NTR/BP, OKC 200 NTR/BP,  
OKC 250 NTR/BP**

**OKC 200 NTRR/BP, OKC 250 NTRR/BP**



Type	OKCE 100 NTR/2,2 kW OKC 100 NTR/BP	OKCE 125 NTR/2,2 kW OKC 125 NTR/BP
A	815	980
B	869	1040
C	517	623
D	229	246
E	623	753

Type	OKCE 100 NTR/2,2 kW OKC 100 NTR/BP	OKCE 125 NTR/2,2 kW OKC 125 NTR/BP
Volume (l)	95	120
Max. weight of heater without water (kg)	63/59	77/72
Max. operating overpressure in the tank (MPa)	0.6	0.6
Max. operating overpressure in the exchanger (MPa)	1	1
Max. temperature heating water (°C)	110	110
Max. HUW temperature (°C)	80	80
Exchanger heating surface (m <sup>2</sup> )	1.08	1.45
Performance of the lower/upper exchanger (kW)	24	32
Continuous HUW <sup>1</sup> power*/LE/UE (l/hour)	610	990
Heating period with exchanger from 10 °C to 60 °C (min)	14	14
Heating period with ele. en. from 10 °C to 60 °C (hour) *	3	3,5
Connected load (kW) *	2.2	2.2
Voltage (V/Hz)	1 PE-N 230/50	1 PE-N 230/50
Voltage of safety elements (V/Hz)	1 PE-N 230/50	1 PE-N 230/50
Electrical protection	IP 44	IP 44
Heat loss/energy efficiency class (kWh/24 h)	0.9/C	1.1/C

<sup>1</sup> HUW hot utility water 45°C • LE - lower exchanger, UE - upper exchanger

\* These lines do not apply to NTR/BP types, which do not have a heating element. \*\*Exchanger connected in series.