

# INDIRECT STORAGE WATER HEATERS

## Stationary 0.6 MPa

Heating element built-in to flange 2.2 kW

## OKCE 300 NTR/2,2 kW

OKCE 300 NTRR/2,2 kW

## Stationary 0.6 MPa

Heating element built-in to flange 3–6 kW

## OKCE 300 NTR/3–6 kW

OKCE 300 NTRR/3–6 kW

## Stationary 0.6 MPa

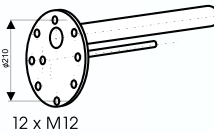
With side flange - no heating element

## OKC 300 NTR/BP

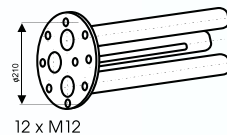
OKC 300 NTRR/BP



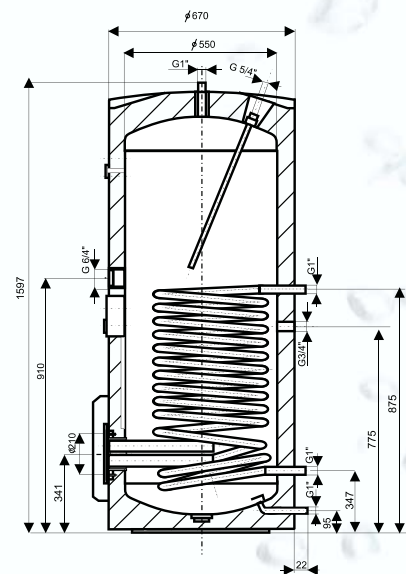
Flange lid 2.2 kW



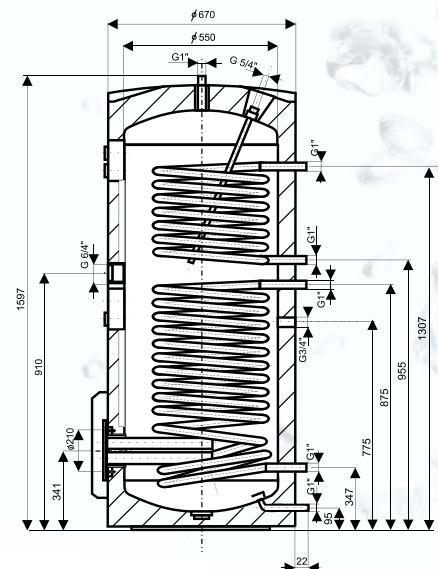
Flange lid 3–6 kW



OKCE 300 NTR/2,2 kW  
OKCE 300 NTR/3–6 kW  
OKC 300 NTR/BP



OKCE 300 NTRR/2,2 kW  
OKCE 300 NTRR/3–6 kW  
OKC 300 NTRR/BP



Type	OKCE 300 NTR/2,2 kW	OKCE 300 NTRR/2,2 kW
	OKCE 300 NTR/3–6 kW OKC 300 NTR/BP	OKCE 300 NTRR/3–6 kW OKC 300 NTRR/BP
Volume (l)	300	295
Max. weight of heater without water (kg)	116/122/111	132/138/127
Max. operating overpressure in the tank (MPa)	0.6	0.6
Max. operating overpressure in the exchanger (MPa)	1	1
Max. temperature heating water (°C)	110	110
Max. HUW temperature (°C)	80	80
Heating surface of the lower exchanger (m <sup>2</sup> )	1.5	1.5
Heating surface of the upper exchanger (m <sup>2</sup> )	-	1
Performance of the lower/upper exchanger (kW)	35	35/27
Continuous HUW <sup>1</sup> power*/LE/UE (l/hour)	1100	1100/760
Heating period with exchanger from 10 °C to 60 °C (min)	24	24/16
Heating period with ele. en. from 10 °C to 60 °C (hour) *	8.5/6–3	8.5/6–3
Connected load (kW) *	2,2	2,2
Voltage (V/Hz) *	1 PE-N 230/50 3 PE-N 400/50	1 PE-N 230/50 3 PE-N 400/50
Voltage of control elements NTR/BP (V/Hz)	1 PE-N 230/50	1 PE-N 230/50
Electrical protection	IP 44	IP 44
Heat loss/energy efficiency class (kWh/24 h)	1.86/B	1.86/B

<sup>1</sup> HUW hot utility water 45°C • LE - lower exchanger, UE - upper exchanger

\* These lines do not apply to NTR/BP types, which do not have a heating element.