

Product catalogue 2010



welding, cutting and more...



Exhaust fans

- Exhaust fan 2.000 m³/h 27
- Exhaust fan 3.000 m³/h 28

Exhaust fan 2.000 m³/h



The exhaust fan 2.000 has a variety of multiple uses. It can either be used for the extraction of welding fumes, dust, car exhaust gases or for the transport of packaging.

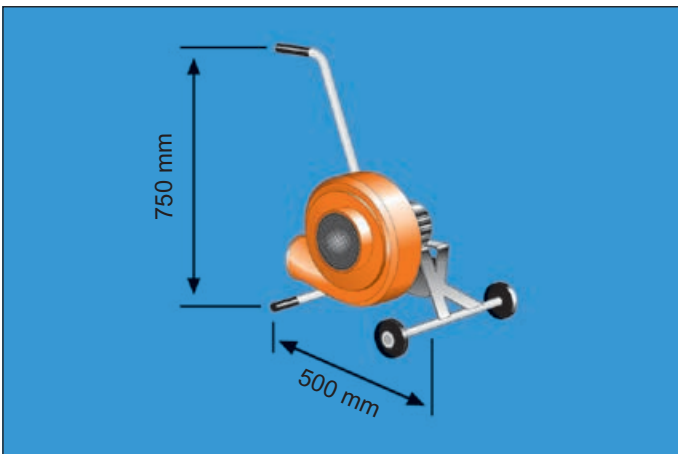
Other applications include the ventilation of containers or pipes.

The exhaust fan has been designed for tough industrial conditions. The housing and impeller wheel are made of aluminium casting. The rigid fan housing and trolley are epoxy powder coated.

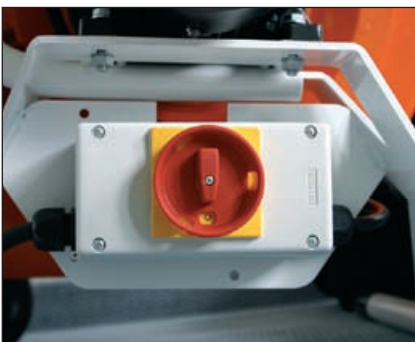
A variety of different extraction and pressure hoses are available. The exhaust fan comes as a complete kit with all necessary parts for mobile and portable applications.

Technical data

Weight: 30,0 kg
Noise level: aprox. 68 dB (A)



Part No.	Description	€
91 623	Exhaust fan ventilator: 2.000 m ³ /h, motor: 0,75 kW · 3 x 400 V / 50 Hz	1.072,00
91 623 100	Exhaust fan ventilator: 2.000 m ³ /h, motor: 0,75 kW · 1 x 230 V / 50 Hz	1.107,00
93 082	Exhaust hose Ø 100 mm, length 6,0 m, incl. exhaust hood with magnetic foot	226,30
93 083	Exhaust hose Ø 150 mm, length 6,0 m, incl. exhaust hood with magnetic foot	249,20
79 103 31	Exhaust hose Ø 150 mm, length 6,0 m, incl. exhaust hood with magnetic foot	256,00
93 084	Outgoing air hose, Ø 160 mm, length 6,0 m	212,60



Exhaust fan 3.000 m³/h

The mobile exhaust fan 3.000 is perfect for moving large amounts of air, dusts, welding fumes or the like.

The housing consists of spark proof aluminium casting and the impeller wheel is made of steel.

The unit includes a 5,0 m mains cable and a motor protection switch.

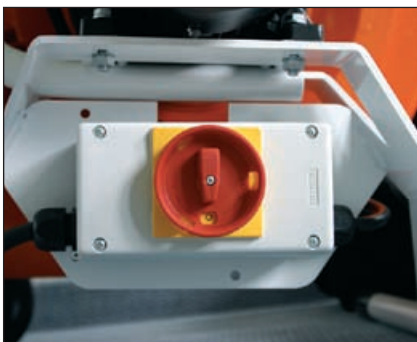
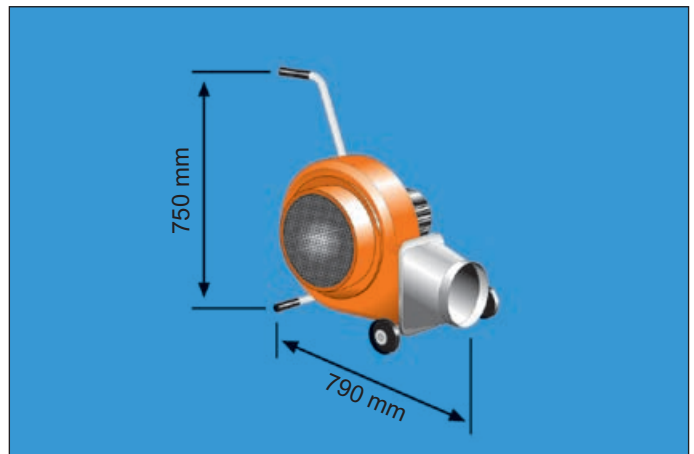
Different hoses of 250 mm are available and can be connected with a hose clamp either to the inlet and outlet opening of the mobile fan.

Technical data

Weight: 30,0 kg
Noise level: aprox. 69 dB (A)



Part No.	Description	€
91 618	Exhaust fan ventilator: 3.000 m ³ /h, motor: 1,5 kW · 3 x 400 V / 50 Hz	1.802,00
91 618 100	Exhaust fan ventilator: 3.000 m ³ /h, motor: 1,5 kW · 1 x 230 V / 50 Hz	1.937,00
93 087	Exhaust hose, Ø 250 mm, length 6,0 m, incl. exhaust hood with magnetic foot	292,50
93 087 100	Exhaust hose Ø 250 mm, length 10,0 m, incl. exhaust hood with magnetic foot	372,10
93 088	Outgoing air hose Ø 250 mm, length 6,0 m	260,50





Your distributor:

All prices are exclusive of the current VAT.

Priced catalogue items will be delivered carriage paid, within the EU (mainland), incl. packaging. For orders below a net price of 1.000 €, a standard carriage charge of 17,50 € ex. VAT, for packaging, insurance and carriage will be raised.

All orders are subject to our conditions of sale. Price and technical specifications are subject to change without notice. We do not accept any liability for misprints. With the publication of this price list, all former price list loose there validity. The technical specifications stated in our catalogue are subject to change without notice. This catalogue is protected by copyright and remains our property.

This catalogue can be reclaimed at anytime. Reprints, or partial reprints can only be accepted with written authorisation by **KEMPER**.